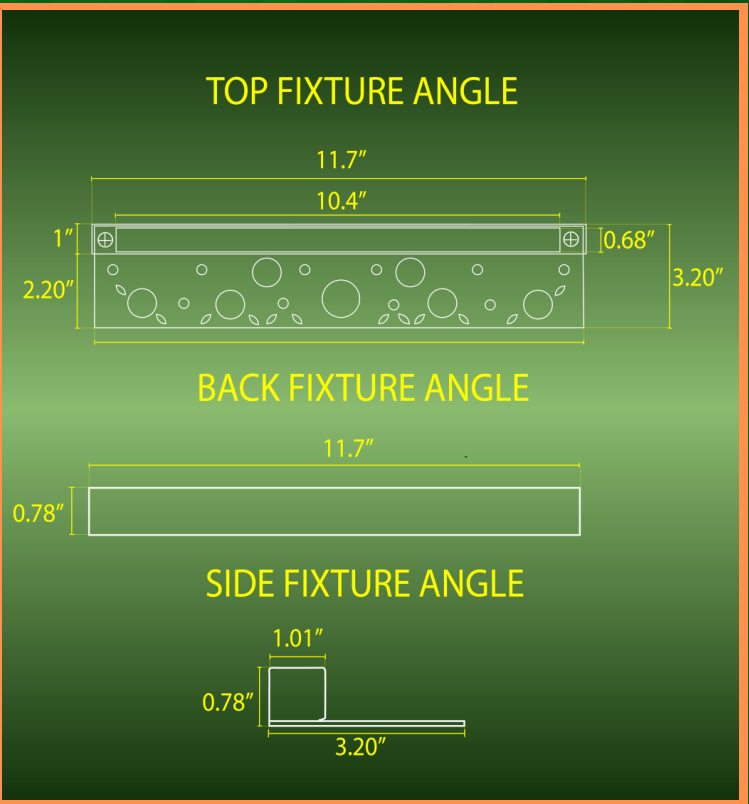
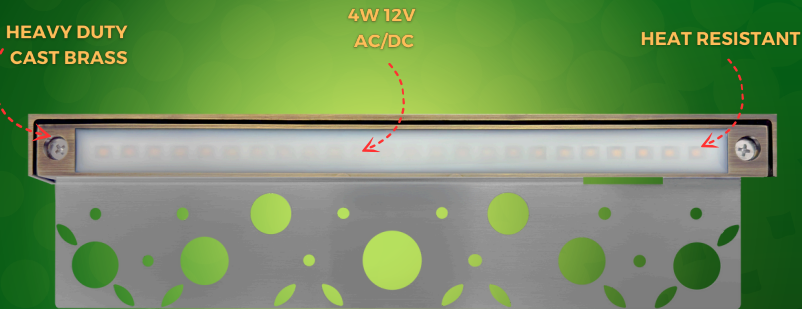


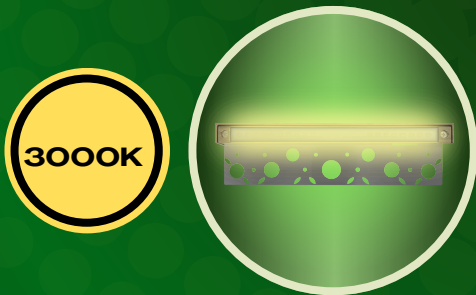
STB20

HARDSCAPE LIGHT

SPEC SHEET



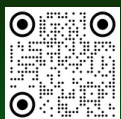
TEMPERATURE:



ILLUMINATE YOUR OUTDOOR ENVIRONMENTS WITH PRECISION AND STYLE USING THE STB20 INTEGRATED ALUMINUM HARDSCAPE/EDGE LIGHT BY ABBA LIGHTING USA. EXPERTLY ENGINEERED FOR VERSATILITY AND DURABILITY, THIS LOW-PROFILE LED FIXTURE IS AN IDEAL SOLUTION FOR LIGHTING WALLS, STEPS, PATIOS, OUTDOOR KITCHENS, RETAINING WALLS, AND MORE. WHETHER YOU'RE A LANDSCAPE ARCHITECT, LIGHTING PROFESSIONAL, OR HOMEOWNER LOOKING TO UPGRADE YOUR OUTDOOR SPACE, THE STB20 OFFERS UNMATCHED FUNCTIONALITY AND AESTHETICS.

CONSTRUCTED FROM HEAVY DUTY CAST BRASS, THE STB20 IS BUILT TO HANDLE THE CHALLENGES OF OUTDOOR ENVIRONMENTS. THE BRASS BODY PROVIDES SUPERIOR RESISTANCE TO CORROSION WHILE MAINTAINING A LIGHTWEIGHT STRUCTURE. THE FIXTURE IS FINISHED IN A TEXTURED BRONZE POWDER COATING, ENHANCING ITS ABILITY TO WITHSTAND MOISTURE, UV EXPOSURE, AND PHYSICAL WEAR WITHOUT COMPROMISING ITS REFINED LOOK.

<p>FEATURE:</p> <p>AREA EDGE LIGHT APPLICATION</p>	<p>FEATURE:</p> <p>UV TREATED FINISH</p>	<p>FEATURE:</p> <p>20" WIRE INCLUDED</p>
<p>LIFE SPAN:</p> <p>20,000 HOURS</p>	<p>FEATURE:</p> <p>CONSTANT CURRENT LED DRIVER</p>	<p>WATERPROOF RATING:</p> <p>IP65</p>



YOUTUBE VIDEO
INSTALLATION GUIDE



WEBSITE



CATALOG



12V Landscape Light Specialist



(800) 360-2960



ABBALightingUSA@gmail.com



7701 Alabama Ave, Canoga Park, CA 91304