

DWELL WELL LIGHT



INSTALLATION GUIDE

ABBA LIGHTING USA

DWELL LIGHT

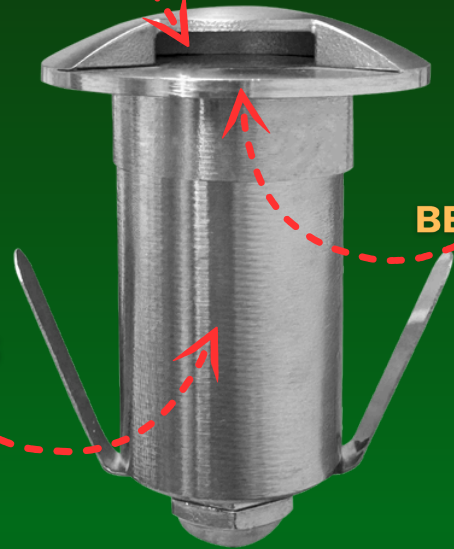
WITH CASING



3W COB
AC/DC

HEAVY DUTY
CAST STAINLESS
STEEL

40°
BEAM ANGLE



FINISH:



TEMPERATURE

DWELLIGHT

LIFE SPAN:

30,000
HOURS

LUMENS:

170

INCLUDED

**20" WIRE
&
PVC PIPE**

WATERPROOF
RATING:

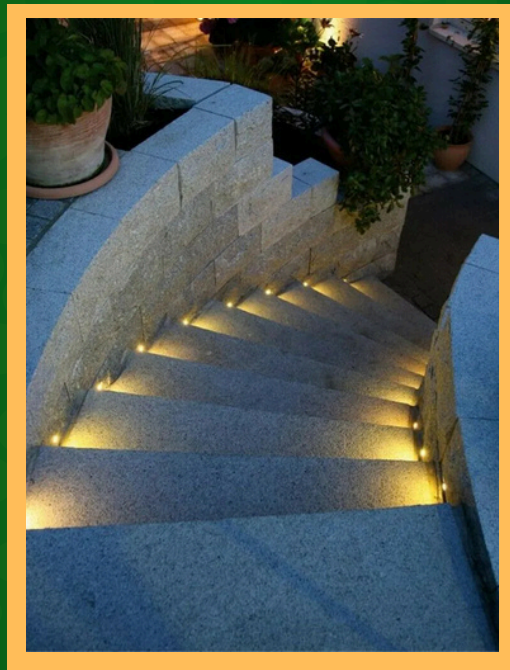


MASTER BOX:

50
PIECES

DIMMABLE:

NO



Thank you for choosing our high-quality product. To ensure the best possible experience, please take a moment to carefully read and follow all instructions before assembly, installation, and use. Doing so will not only guarantee proper function and safety but also help you maximize the full potential of this exceptional product. We truly appreciate your business and are honored to be your trusted provider of top-notch products!



YOUTUBE VIDEO
INSTALLATION GUIDE



WEBSITE



CATALOG



(800) 360-2960



ABBALightingUSA@gmail.com



7701 Alabama Ave, Canoga Park, CA 91304

WARNING

TO REDUCE THE RISK OF FIRE OR INJURY TO PERSONS:

- ✓ Please exercise caution when using the lamp, as it tends to HEAT up rapidly. We recommend taking necessary safety measures to ensure optimal usage.
- ✓ For your safety, please refrain from touching the HOT lens, guard, or enclosure. We recommend waiting for the product to cool down before handling it.
- ✓ To prevent any fire hazards, please ensure that the lamp is kept away from materials that may easily catch fire. We appreciate your cooperation in maintaining a safe and secure environment.
- ✓ For safety reasons, we recommend that only a qualified professional install this electrical product.
- ✓ Before attempting to install this unit, ensure all power connections are off for your own safety.

WARRANTY

- We stand behind the quality of our product and offer a 2 year warranty. Kindly ensure that you keep the proof of purchase as it will be required for any warranty claims.
- Warranty will be void if there is any damage due to improper usage or modification to the fixture.
- Failure to comply with the instruction in this manual may increase the risk of damage or injury and will void warranty.



YOUTUBE VIDEO
INSTALLATION GUIDE



WEBSITE



CATALOG



(800) 360-2960



ABBALightingUSA@gmail.com



7701 Alabama Ave, Canoga Park, CA 91304

CAUTION:

FIXTURE(S) MUST BE INSTALLED IN ACCORDANCE WITH ALL LOCAL CODES AND ORDINANCES.

DO NOT INSTALL WITHIN 10 FEET OF A POOL, SPA OR FOUNTAIN

DM53 Integrated Stainless Steel Well Light

Enhance your outdoor space with the DM53 Integrated Stainless Steel Well Light, a top-tier lighting solution designed for superior durability, efficiency, and elegant illumination. Engineered for seamless in-ground installation, this well light provides a discreet yet powerful lighting solution for various outdoor applications. Whether you're illuminating pathways, accentuating landscapes, or highlighting architectural details, the DM53 ensures exceptional performance with its rugged construction and cutting-edge LED technology.

Exceptional Illumination & Energy Efficiency

The DM53 Well Light is built with an integrated high-output LED module, delivering brilliant, focused illumination with minimal power consumption. Designed to provide even light distribution, this fixture is ideal for enhancing outdoor aesthetics while maintaining energy efficiency. The long-lasting LED ensures years of reliable performance, eliminating the hassle of frequent bulb replacements.

✦ Key Lighting Features:

- ✓ Integrated LED Module – Eliminates the need for separate bulbs, ensuring consistent brightness and reliability
- ✓ Energy-Efficient Performance – Consumes less power while delivering high-lumen output
- ✓ Optimal Beam Spread – Perfect for landscape accents, architectural uplighting, and pathway lighting
- ✓ Cool Operation – Advanced thermal management prevents overheating, extending LED lifespan



YOUTUBE VIDEO
INSTALLATION GUIDE



WEBSITE



CATALOG



(800) 360-2960



ABBALightingUSA@gmail.com



7701 Alabama Ave, Canoga Park, CA 91304

CAUTION:

FIXTURE(S) MUST BE INSTALLED IN ACCORDANCE WITH ALL LOCAL CODES AND ORDINANCES.

DO NOT INSTALL WITHIN 10 FEET OF A POOL, SPA OR FOUNTAIN

Heavy-Duty Construction & Weatherproof Protection

Built with superior-grade stainless steel, the DM53 offers maximum durability and resistance against environmental wear and tear. Its IP67 waterproof rating makes it fully protected against dust and water ingress, ensuring reliable operation even in harsh outdoor conditions. The tempered glass lens provides impact resistance, shielding the LED module from debris, moisture, and extreme weather.

Construction & Protection Features:

- ✓ Material: High-quality stainless steel body for unmatched durability
- ✓ Weatherproof Rating: IP67-rated – fully resistant to dust, rain, and water submersion
- ✓ Lens Protection: Tempered glass cover to withstand impact and outdoor exposure
- ✓ Corrosion Resistance: Designed to prevent rusting and degradation, even in coastal or humid environments

Sleek, Modern, & Versatile Design

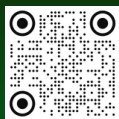
The DM53 Well Light features a low-profile, recessed design, blending seamlessly into various outdoor settings. This minimalist fixture is perfect for enhancing landscapes without visible fixtures, creating a clean, sophisticated look that complements any environment. Whether installed in gardens, pathways, driveways, or architectural features, the DM53 elevates the overall aesthetic appeal of outdoor spaces.



YOUTUBE VIDEO
INSTALLATION GUIDE



WEBSITE



CATALOG



(800) 360-2960



ABBALightingUSA@gmail.com



7701 Alabama Ave, Canoga Park, CA 91304

CAUTION:

FIXTURE(S) MUST BE INSTALLED IN ACCORDANCE WITH ALL LOCAL CODES AND ORDINANCES.

DO NOT INSTALL WITHIN 10 FEET OF A POOL, SPA OR FOUNTAIN

Where It Works Best:

- ✓ Pathways & Driveways – Provides subtle yet effective illumination for navigation and safety
- ✓ Landscape & Garden Accents – Highlights trees, plants, sculptures, and garden elements
- ✓ Architectural Uplighting – Adds depth and drama to building facades, columns, and walls
- ✓ Poolside & Patio Areas – Creates an inviting ambiance while ensuring visibility

Easy Installation & Low Maintenance

The DM53 Stainless Steel Well Light is designed for quick and hassle-free installation, making it a top choice for both professionals and homeowners. Its flush-mount design ensures a clean, seamless appearance, while the pre-wired system allows for simple integration into any 12V AC/DC low-voltage lighting setup. Once installed, the long-lasting LED technology requires minimal maintenance, providing years of uninterrupted performance.

Installation Features:

- ✓ Flush Mount Design – Sits seamlessly in the ground for a professional finish
- ✓ Works with Low-Voltage Systems – Compatible with 12V AC/DC transformers for safety and efficiency
- ✓ Pre-Wired for Quick Setup – Simplifies installation, reducing time and effort
- ✓ Durable & Long-Lasting LED – Minimizes main



YOUTUBE VIDEO
INSTALLATION GUIDE



WEBSITE



CATALOG



(800) 360-2960



ABBALightingUSA@gmail.com



7701 Alabama Ave, Canoga Park, CA 91304

CAUTION:

FIXTURE(S) MUST BE INSTALLED IN ACCORDANCE WITH ALL LOCAL CODES AND ORDINANCES.

DO NOT INSTALL WITHIN 10 FEET OF A POOL, SPA OR FOUNTAIN

Technical Specifications:

- Material: Heavy-duty stainless steel
 - LED Type: Integrated high-output LED module
 - Wattage: Efficient, low-energy consumption
 - Voltage: 12V AC/DC low-voltage operation
 - Waterproof Rating: IP67 – fully weather-resistant and waterproof
 - Lens Type: Tempered glass, impact-resistant
 - Installation: Recessed, flush-mount design
 - Application: Landscape lighting, pathway illumination, architectural accents
- ✓ Premium Stainless Steel Construction – Built to withstand outdoor conditions
 - ✓ Energy-Efficient LED Technology – Reduces power consumption while delivering powerful illumination
 - ✓ IP67 Waterproof Rating – Ensures long-lasting protection against dust, rain, and moisture
 - ✓ Easy Installation & Low Maintenance – Pre-wired and compatible with 12V AC/DC systems
 - ✓ Sleek, Low-Profile Design – Blends seamlessly into landscapes for a clean and modern look

Illuminate your outdoor spaces with the DM53 Integrated Stainless Steel Well Light – a high-performance, weatherproof lighting solution that combines durability, energy efficiency, and professional-grade illumination!



YOUTUBE VIDEO
INSTALLATION GUIDE



WEBSITE



CATALOG



(800) 360-2960



ABBALightingUSA@gmail.com



7701 Alabama Ave, Canoga Park, CA 91304

INSTALLATION GUIDE FOR DM53

STEP-BY-STEP INSTALLATION INSTRUCTIONS

Safety Precautions

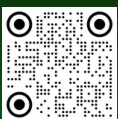
- Ensure the power supply is turned off before installation.
- Follow local electrical codes and regulations.
- Wear protective gloves during installation to avoid injury.
- Do not install in areas prone to excessive moisture unless properly sealed.
- Ensure all connections are waterproof for outdoor installations.

1. Preparing the Installation Site

- Select a location that provides the best illumination while avoiding areas prone to standing water.
- If installing in-ground, dig a hole large enough to accommodate the fixture and the wiring.
- If installing in concrete or hard surfaces, ensure proper mounting sleeves or junction boxes are available.

2. Wiring Connections

- Turn off the power at the main electrical panel.
- Connect the fixture's low-voltage wires to the main power supply using the provided connectors. Use WN12 (Sold Separately) to Waterproof your connection.



YOUTUBE VIDEO
INSTALLATION GUIDE



WEBSITE



CATALOG



(800) 360-2960



ABBALightingUSA@gmail.com



7701 Alabama Ave, Canoga Park, CA 91304

INSTALLATION GUIDE FOR DM53

- Secure all wire connections and test for continuity before final installation.
- Use waterproof electrical tape or silicone sealant to protect connections from moisture.

3. Fixture Installation

For In-Ground Installation:

- Place the mounting sleeve (if provided) into the prepared hole.
- Insert the fixture into the sleeve, ensuring it is level and secure
- Use gravel and soil for additional stability.

For Concrete/Hard Surface Installation:

- Secure the fixture using mounting brackets or embedded housing.
- Ensure the fixture is flush with the surface for a clean, professional look.



YOUTUBE VIDEO
INSTALLATION GUIDE



WEBSITE



CATALOG



(800) 360-2960



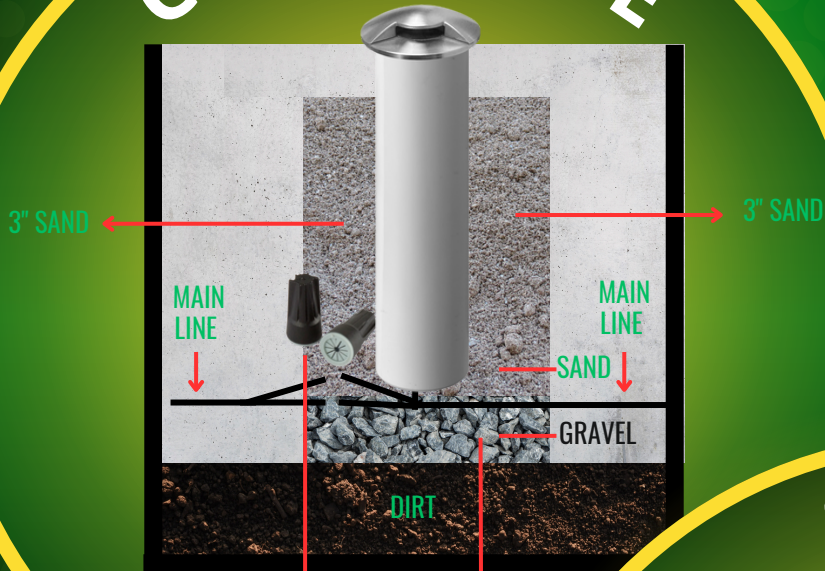
ABBALightingUSA@gmail.com



7701 Alabama Ave, Canoga Park, CA 91304

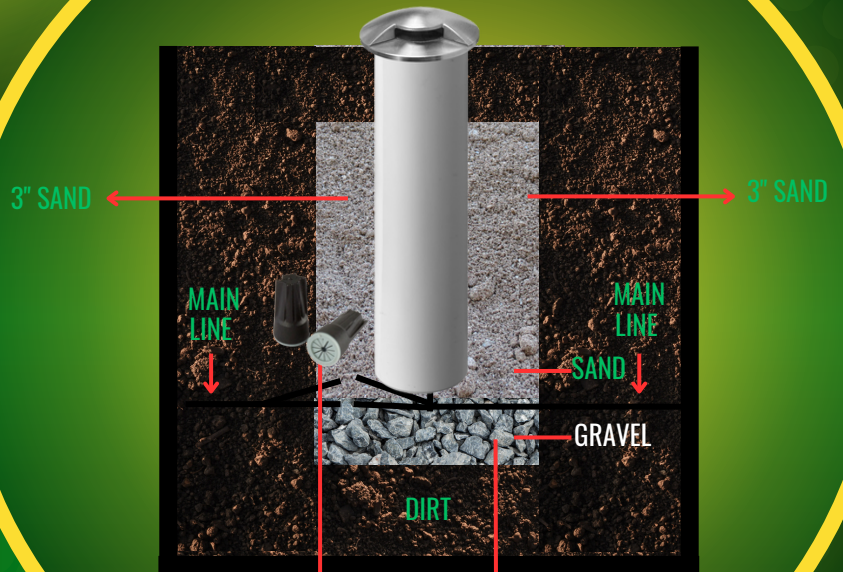
INSTALLATION GUIDE FOR DM53

CONCRETE



WN12 WATERPROOF
WIRE NUTS
(SOLD SEPARATELY)

SOIL



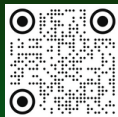
WN12 WATERPROOF
WIRE NUTS
(SOLD SEPARATELY)



YOUTUBE VIDEO
INSTALLATION GUIDE



WEBSITE



CATALOG



(800) 360-2960



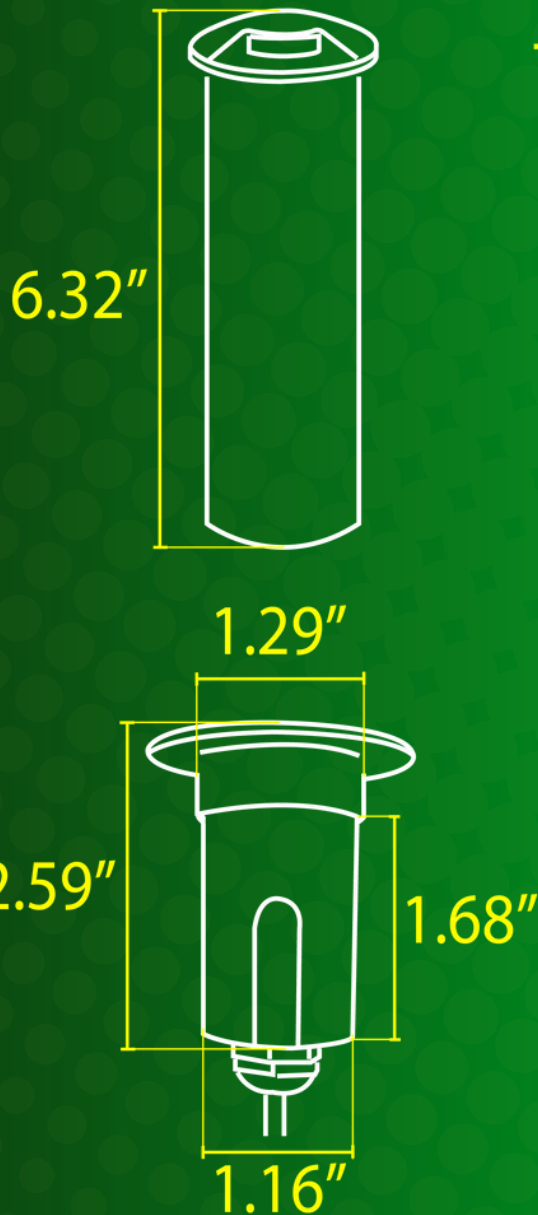
ABBALightingUSA@gmail.com



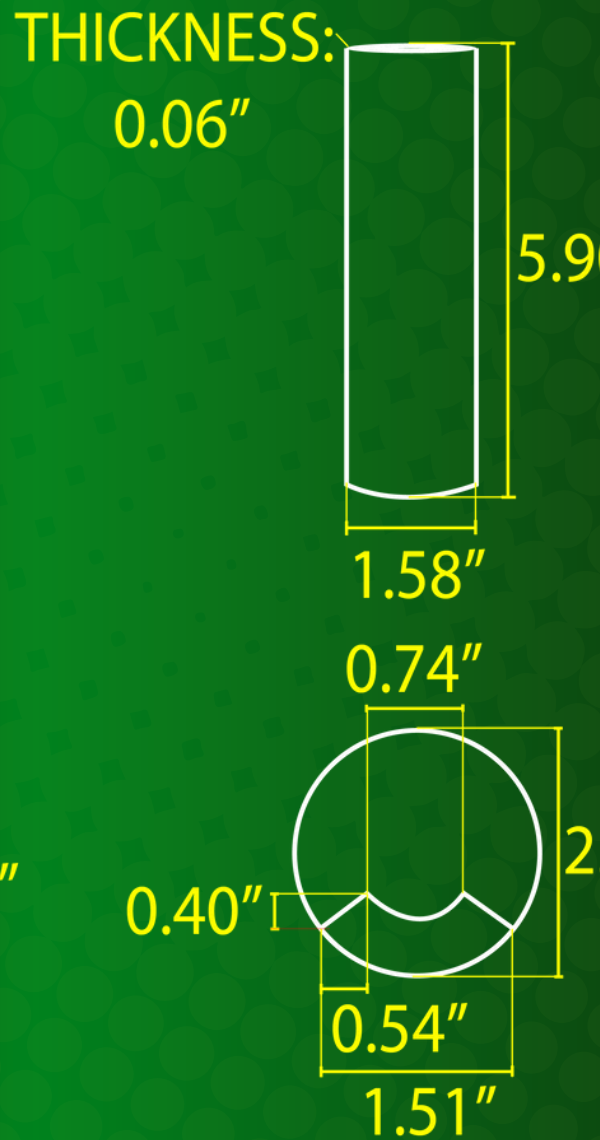
7701 Alabama Ave, Canoga Park, CA 91304

INSTALLATION GUIDE FOR DM53

WITH CASE



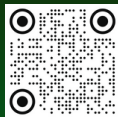
CASE



YOUTUBE VIDEO
INSTALLATION GUIDE



WEBSITE



CATALOG



(800) 360-2960



ABBALightingUSA@gmail.com



7701 Alabama Ave, Canoga Park, CA 91304

INSTALLATION GUIDE FOR DM53

MAINTENANCE TIPS

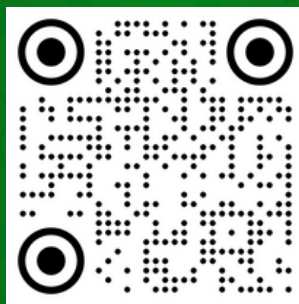
- **Regular Inspection:** Periodically check the bracket and fixture to ensure they are still securely mounted and functioning correctly.

SAFETY PRECAUTIONS

- Always wear appropriate safety gear, such as gloves and safety glasses, during installation.
- Ensure the mounting surface is capable of supporting the weight of both the bracket and the lighting fixture.

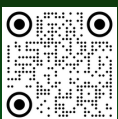
ADDITIONAL RESOURCES

For a detailed video tutorial on how to install, visit our YouTube channel and search for "DM53"



Please visit our website for more of our products.

www.ABBALightingUSA.com



YOUTUBE VIDEO
INSTALLATION GUIDE



WEBSITE



CATALOG



(800) 360-2960



ABBALightingUSA@gmail.com



7701 Alabama Ave, Canoga Park, CA 91304

DM53

WELL LIGHT

STAINLESS STEEL

BLACK

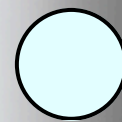
BLACK



3000K



ABBA LIGHTING USA



5000K