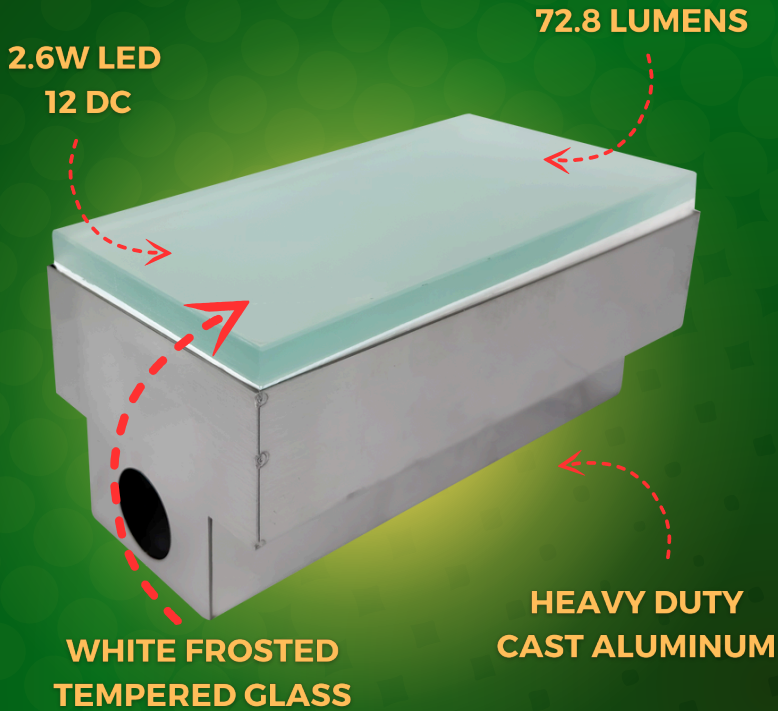
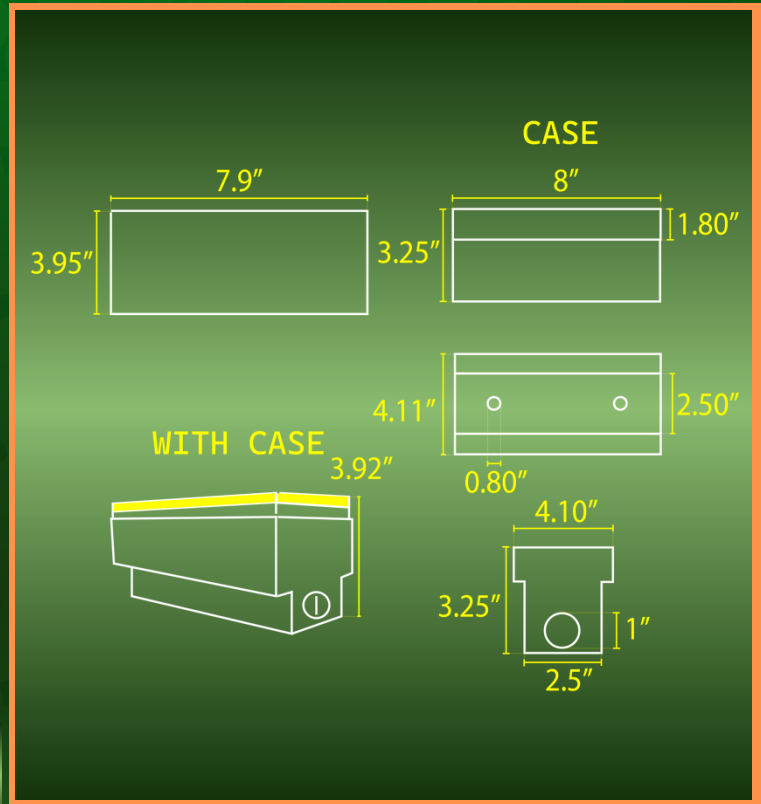


CRG31 WW

WELL LIGHT



SPEC SHEET



TEMPERATURE:

3000K

FEATURE:

TRAFFIC
RATED

CERTIFICATE



MASTER BOX:

6
PIECES

LIFE SPAN:

30,000
HOURS

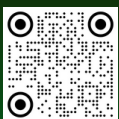
BEAM ANGLE:

100°

WATERPROOF
RATING:



TRANSFORM YOUR OUTDOOR SPACES WITH THE CRG31 LED BRICK LIGHT, A PREMIUM LIGHTING SOLUTION ENGINEERED TO PROVIDE ENERGY-EFFICIENT, LONG-LASTING ILLUMINATION WHILE ADDING A MODERN, REFINED TOUCH TO YOUR LANDSCAPE. WHETHER USED FOR PATHWAYS, STAIRWAYS, RETAINING WALLS, OR PATIOS, THIS HIGH-PERFORMANCE FIXTURE SEAMLESSLY BLENDS AESTHETICS AND FUNCTIONALITY, ENHANCING BOTH VISIBILITY AND SAFETY.



YOUTUBE VIDEO
INSTALLATION GUIDE



WEBSITE



CATALOG

ABBA

LIGHTING USA

12V Landscape Light Specialist



(800) 360-2960



ABBALightingUSA@gmail.com



7701 Alabama Ave, Canoga Park, CA 91304