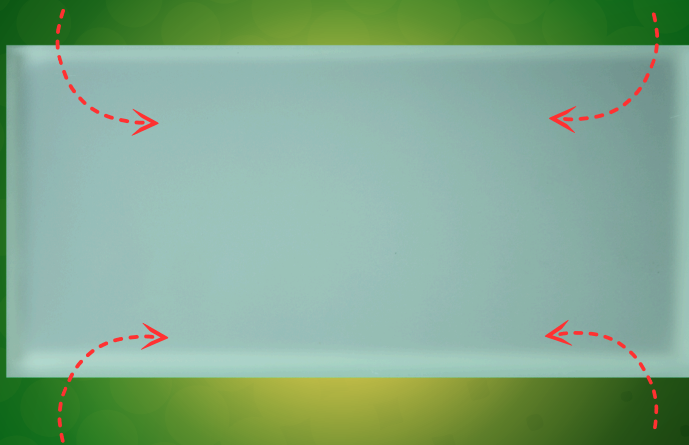


CRC31 RGB

WELL LIGHT

2.6W LED
12 DC

72.8 LUMENS



WHITE FROSTED
TEMPERED GLASS

HEAVY DUTY
CAST ALUMINUM

TEMPERATURE:



FEATURE:

TRAFFIC
RATED

DIMMABLE:

NO

MASTER BOX:

8
PIECES

LIFE SPAN:

30,000
HOURS

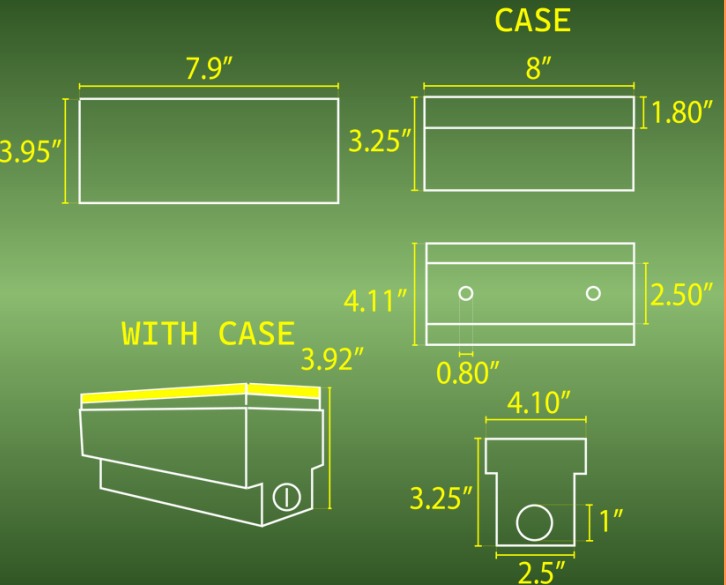
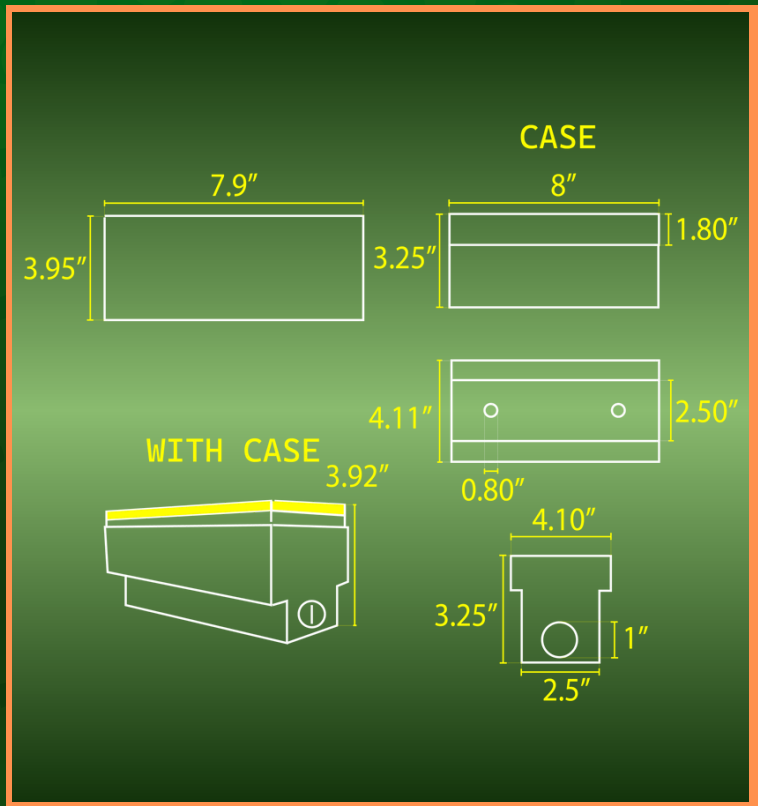
BEAM ANGLE:

100°

WATERPROOF
RATING:



SPEC SHEET



TRANSFORM YOUR OUTDOOR SPACES WITH THE CRC31 RGB BRICK LIGHT, A HIGH-PERFORMANCE, WEATHER-RESISTANT, AND ENERGY-EFFICIENT LIGHTING FIXTURE DESIGNED FOR MODERN LANDSCAPING AND ARCHITECTURAL APPLICATIONS. WITH ITS RGB COLOR-CHANGING CAPABILITIES, HEAVY-DUTY ALUMINUM CONSTRUCTION, AND SEAMLESS INTEGRATION INTO VARIOUS OUTDOOR SETTINGS, THIS FIXTURE IS THE PERFECT CHOICE FOR BOTH RESIDENTIAL AND COMMERCIAL PROJECTS. WHETHER YOU'RE LOOKING TO ADD A SOFT, AMBIENT GLOW TO PATHWAYS OR CREATE A VIBRANT, DYNAMIC LIGHTING EFFECT FOR SPECIAL OCCASIONS, THE CRC31 RGB BRICK LIGHT OFFERS SUPERIOR ILLUMINATION, DURABILITY, AND VERSATILITY.



YOUTUBE VIDEO
INSTALLATION GUIDE



WEBSITE



CATALOG

ABBA
LIGHTING USA

12V Landscape Light Specialist



(800) 360-2960



ABBALightingUSA@gmail.com



7701 Alabama Ave, Canoga Park, CA 91304