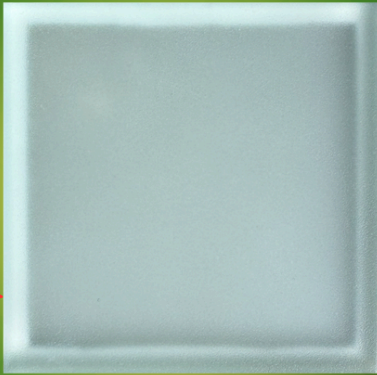


CRG30WW

WELL LIGHT

1.3W LED
12 DC

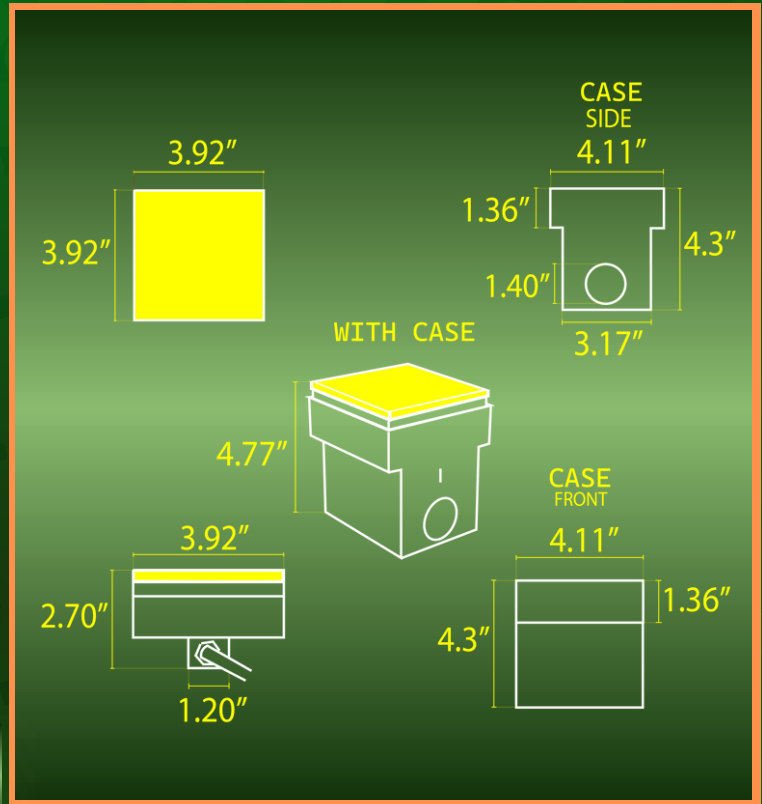
36.4 LUMENS



WHITE FROSTED
TEMPERED GLASS

HEAVY DUTY
CAST ALUMINUM

SPEC SHEET



TEMPERATURE:

3000K

FEATURE:

TRAFFIC
RATED

DIMMABLE:

NO

MASTER BOX:

8
PIECES

LIFE SPAN:

30,000
HOURS

BEAM ANGLE:

100°

WATERPROOF
RATING:



TRANSFORM YOUR OUTDOOR SPACES WITH THE CRG30 WARM WHITE BRICK LIGHT, AN ELEGANT AND DURABLE LIGHTING SOLUTION DESIGNED TO PROVIDE SEAMLESS INTEGRATION INTO HARDSCAPE ELEMENTS WHILE DELIVERING EXCEPTIONAL ENERGY-EFFICIENT ILLUMINATION. WITH ITS WARM 3000K COLOR TEMPERATURE, THIS FIXTURE ENHANCES THE AMBIANCE OF PATIOS, PATHWAYS, DRIVEWAYS, RETAINING WALLS, AND ARCHITECTURAL FEATURES WITH A SOFT, INVITING GLOW.



YOUTUBE VIDEO
INSTALLATION GUIDE



WEBSITE



CATALOG

ABBA

LIGHTING USA

12V Landscape Light Specialist



(800) 360-2960



ABBALightingUSA@gmail.com



7701 Alabama Ave, Canoga Park, CA 91304