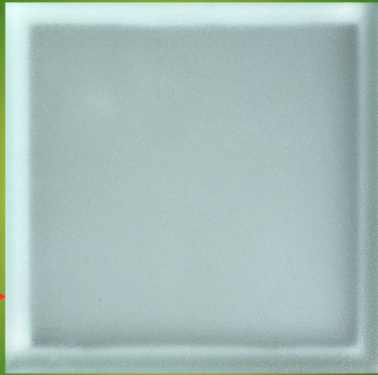


CRC30 RGB

WELL LIGHT

1.3W LED
12 DC

36.4 LUMENS



WHITE FROSTED
TEMPERED GLASS

HEAVY DUTY
CAST ALUMINUM

TEMPERATURE:

RGB



FEATURE:

TRAFFIC
RATED

DIMMABLE:

NO

MASTER BOX:

8
PIECES

LIFE SPAN:

30,000
HOURS

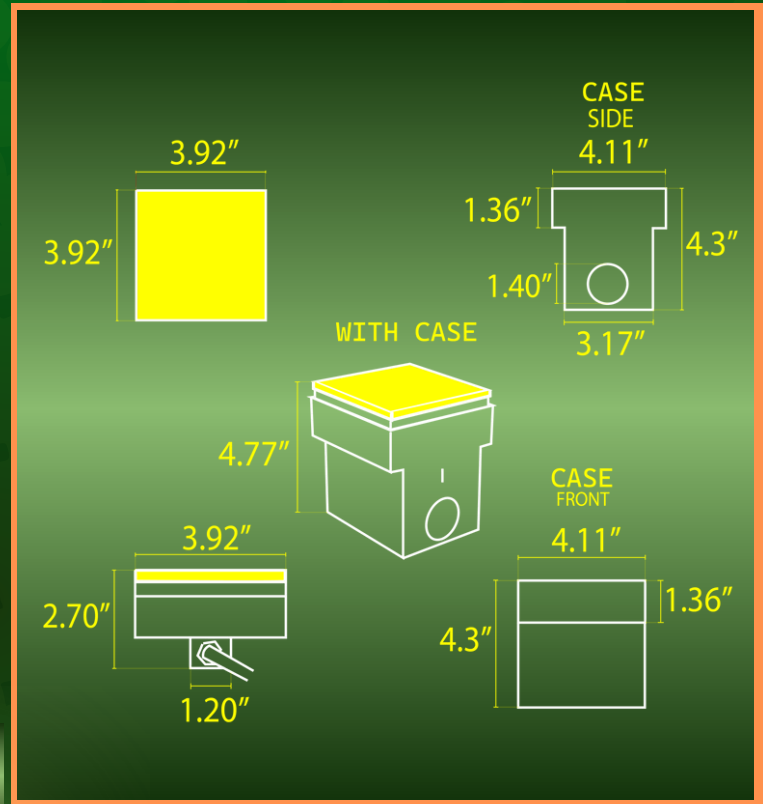
BEAM ANGLE:

100°

WATERPROOF
RATING:



SPEC SHEET



THE CRC30 BRICK LIGHT IS A HIGH-PERFORMANCE, LOW-VOLTAGE RGBW LED LIGHTING SOLUTION, DESIGNED TO SEAMLESSLY BLEND AESTHETICS WITH FUNCTIONALITY. WHETHER YOU'RE ILLUMINATING OUTDOOR STEPS, PATHWAYS, OR ARCHITECTURAL WALLS, THIS DURABLE AND ENERGY-EFFICIENT FIXTURE DELIVERS SUPERIOR ILLUMINATION WHILE ENHANCING THE BEAUTY AND SAFETY OF ANY OUTDOOR ENVIRONMENT. BUILT WITH HIGH-GRADE ALUMINUM, THE CRC30 BRICK LIGHT IS ENGINEERED TO WITHSTAND HARSH WEATHER CONDITIONS, ENSURING LONG-LASTING PERFORMANCE.



YOUTUBE VIDEO
INSTALLATION GUIDE



WEBSITE



CATALOG

ABBA
LIGHTING USA

12V Landscape Light Specialist



(800) 360-2960



ABBALightingUSA@gmail.com



7701 Alabama Ave, Canoga Park, CA 91304