

BA15S

LIGHT BULB

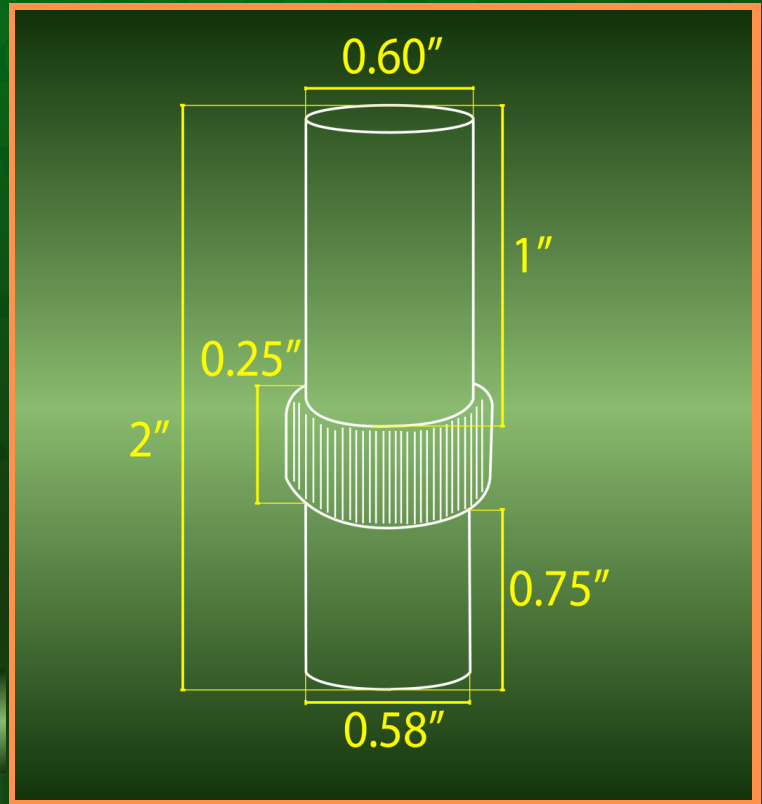
LUMENS:
480M

POWER:
5W LED
AC/DC 12V

BODY:
HARD PLASTIC



SPEC SHEET



TEMPERATURE:



CRI:

>80

AC DIMMABLE:

NO

DC DIMMABLE:

YES

MASTER BOX:

100
PIECES

LIFE SPAN:

30,000
HOURS

BEAM ANGLE:

360°

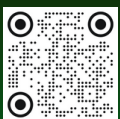
WATERPROOF
RATING:



UPGRADE YOUR LIGHTING WITH THE BA15S 5W LED BULB, A POWERFUL AND ENERGY-EFFICIENT LED REPLACEMENT DESIGNED TO PROVIDE EXCEPTIONAL BRIGHTNESS, LONG-LASTING DURABILITY, AND OPTIMAL PERFORMANCE. WITH TWO COLOR TEMPERATURE OPTIONS—3000K (WARM WHITE) FOR A COZY, AMBIENT GLOW AND 5000K (COOL WHITE) FOR CRISP, DAYLIGHT-LIKE ILLUMINATION—THIS BULB IS THE PERFECT CHOICE FOR LANDSCAPE LIGHTING AND SPECIALTY FIXTURES.



YOUTUBE VIDEO
INSTALLATION GUIDE



WEBSITE



CATALOG

ABBA

LIGHTING USA

12V Landscape Light Specialist



(800) 360-2960



ABBALightingUSA@gmail.com



7701 Alabama Ave, Canoga Park, CA 91304