

MR16 5W COLORED

LIGHT BULBS

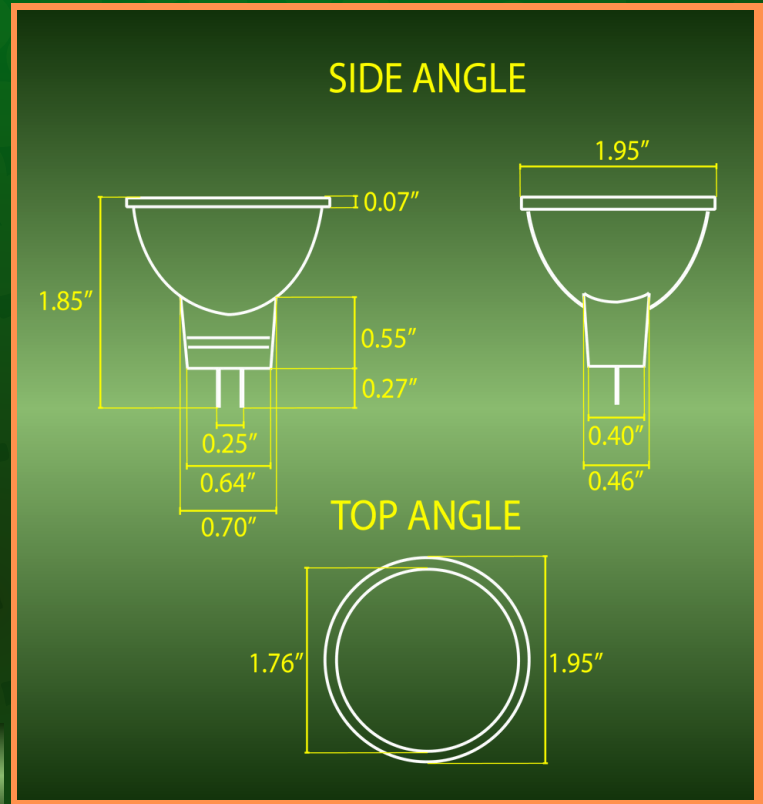
LUMENS:
470LM

POWER:
5W AC/DC
12V LED



ALUMINUM +
PLASTIC BODY

SPEC SHEET



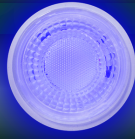
TEMPERATURE:



RED



GREEN



BLUE

CRI:

>80

DIMMABLE

YES

MASTER BOX:

100
PIECES

LIFE SPAN:

30,000
HOURS

BEAM ANGLE:

38°

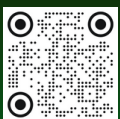
WATERPROOF
RATING:



ADD A BOLD AND VIBRANT TOUCH TO YOUR LIGHTING SETUP WITH THE MR16 5W LED COLOR BULBS, DESIGNED TO BRING EXCEPTIONAL COLOR BRILLIANCE AND HIGH EFFICIENCY TO RESIDENTIAL, COMMERCIAL, AND LANDSCAPE LIGHTING APPLICATIONS. AVAILABLE IN RED, GREEN, AND BLUE, THESE PREMIUM LED BULBS ARE PERFECT FOR CREATING DRAMATIC ACCENTS, ENHANCING OUTDOOR LANDSCAPES, AND SETTING THE PERFECT MOOD FOR ANY ENVIRONMENT. WITH ADVANCED LED TECHNOLOGY, THESE BULBS ENSURE SUPERIOR BRIGHTNESS, LONG-LASTING DURABILITY, AND SIGNIFICANT ENERGY SAVINGS COMPARED TO TRADITIONAL HALOGEN ALTERNATIVES.



YOUTUBE VIDEO
INSTALLATION GUIDE



WEBSITE



CATALOG

ABBA

LIGHTING USA

12V Landscape Light Specialist



(800) 360-2960



ABBALightingUSA@gmail.com



7701 Alabama Ave, Canoga Park, CA 91304