

MR16 7W

LIGHT BULB

LUMENS:
600LM

POWER:
7W AC/DC
12V LED



ALUMINUM +
PLASTIC BODY

TEMPERATURE:



CRI:
>80

DIMMABLE:
YES

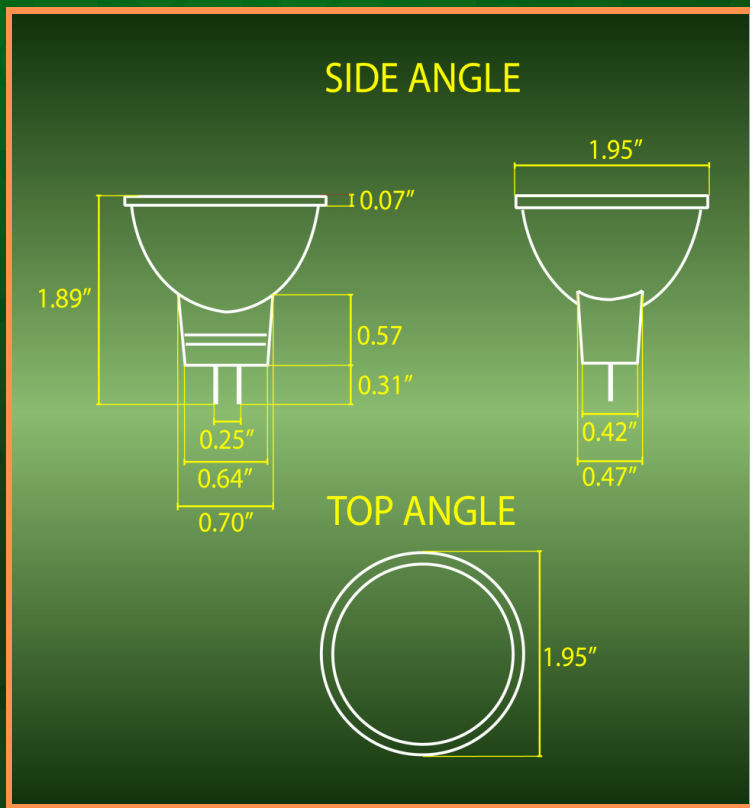
MASTER BOX:
**100
PIECES**

LIFE SPAN:
**30,000
HOURS**

BEAM ANGLE:
38°

**WATERPROOF
RATING:**
IP65

SPEC SHEET



UPGRADE YOUR LIGHTING EXPERIENCE WITH THE MR16 7W LED BULB, AN ADVANCED LED LIGHTING SOLUTION ENGINEERED FOR EXCEPTIONAL BRIGHTNESS, LONG-LASTING PERFORMANCE, AND SUPERIOR ENERGY EFFICIENCY. DESIGNED AS A DIRECT REPLACEMENT FOR TRADITIONAL 50W HALOGEN BULBS, THIS 7-WATT LED BULB SIGNIFICANTLY REDUCES ENERGY CONSUMPTION WHILE PROVIDING BRILLIANT ILLUMINATION WITH CONSISTENT COLOR ACCURACY. WHETHER FOR RESIDENTIAL, COMMERCIAL, OR LANDSCAPE LIGHTING, THIS LOW-VOLTAGE LED BULB IS BUILT TO EXCEED EXPECTATIONS, OFFERING DURABILITY, RELIABILITY, AND ENHANCED VISUAL APPEAL.

THE MR16 7W LED BULB DELIVERS A POWERFUL, WELL-DISTRIBUTED LIGHT OUTPUT, ENSURING MAXIMUM BRIGHTNESS WITH MINIMAL ENERGY CONSUMPTION.



YOUTUBE VIDEO
INSTALLATION GUIDE



WEBSITE



CATALOG

ABBA

LIGHTING USA
12V Landscape Light Specialist



(800) 360-2960



ABBALightingUSA@gmail.com



7701 Alabama Ave, Canoga Park, CA 91304