

MR11 2.5W

LIGHT BULB

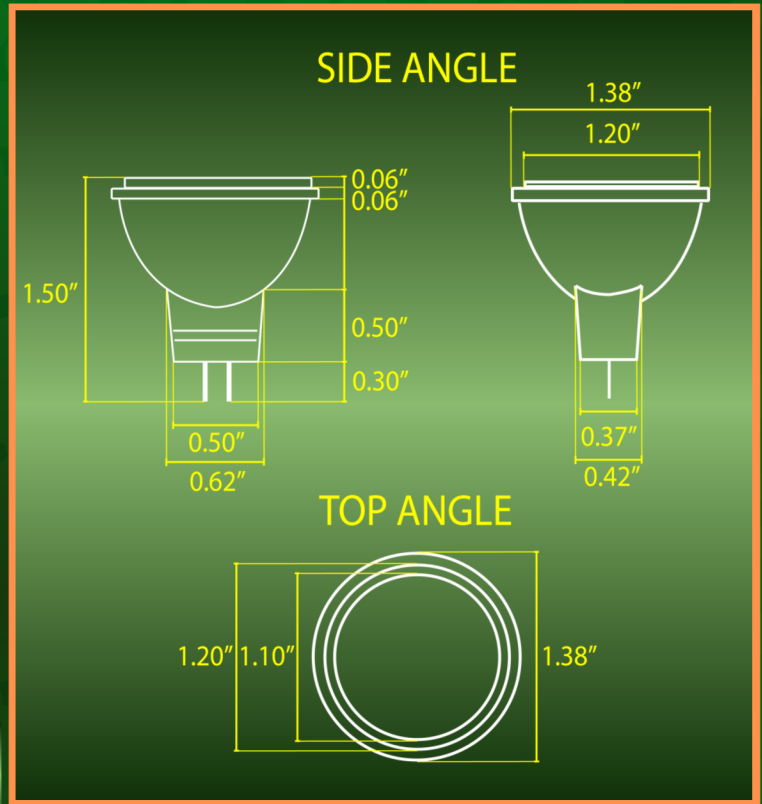
**LUMENS:
200LM**

**POWER:
2.5W LED
AC/DC 12V**

**BODY:
ALUMINUM +
PLASTIC**



SPEC SHEET



TEMPERATURE:



CRI:
>80

DIMMABLE:
YES

MASTER BOX:
**100
PIECES**

LIFE SPAN:
**30,000
HOURS**

BEAM ANGLE:
38°

**WATERPROOF
RATING:**
IP65

UPGRADE YOUR LIGHTING WITH THE MR11 2.5W LED BULB FROM ABBA LIGHTING USA. ENGINEERED FOR HIGH PERFORMANCE, ENERGY EFFICIENCY, AND DURABILITY, THIS LOW-VOLTAGE LED BULB IS A PERFECT REPLACEMENT FOR TRADITIONAL 20W HALOGEN BULBS. WITH THREE COLOR TEMPERATURE OPTIONS (3000K, 4000K, AND 5000K), YOU CAN CUSTOMIZE THE LIGHTING TO SUIT YOUR NEEDS—WHETHER YOU PREFER A WARM, NEUTRAL, OR COOL WHITE GLOW. DESIGNED FOR LANDSCAPE, CABINET, AND ACCENT LIGHTING, THIS BULB PROVIDES BRIGHT, RELIABLE ILLUMINATION FOR YEARS TO COME.



YOUTUBE VIDEO
INSTALLATION GUIDE



WEBSITE



CATALOG

ABBA
LIGHTING USA
12V Landscape Light Specialist



(800) 360-2960



ABBALightingUSA@gmail.com



7701 Alabama Ave, Canoga Park, CA 91304