

G9 SMD 5W DC

LIGHT BULB

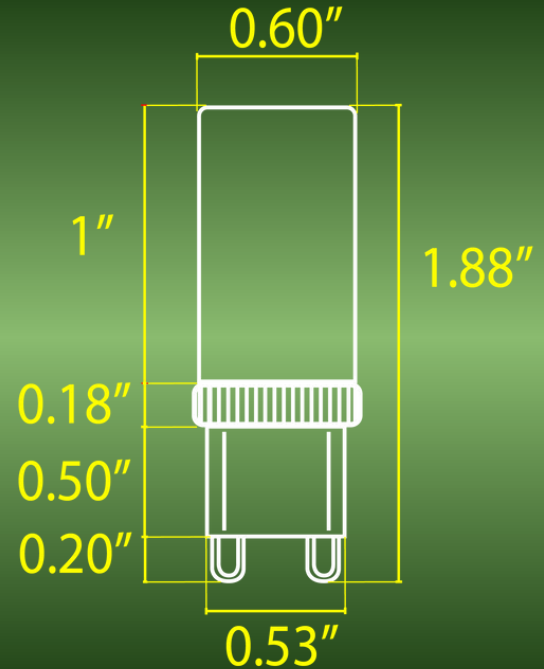
LUMENS:
480LM

POWER:
5W AC/DC
12V LED



**CERAMIC +
HARD PLASTIC
BODY**

SPEC SHEET



TEMPERATURE:

3000K

5000K

CRI:

>80

MASTER BOX:

**100
PIECES**

LIFE SPAN:

**30,000
HOURS**

BEAM ANGLE:

360°

**WATERPROOF
RATING:**



UPGRADE YOUR LIGHTING WITH THE G9 5W SMD LED BULB, DESIGNED FOR EXCEPTIONAL BRIGHTNESS, LONG-LASTING DURABILITY, AND SUPERIOR ENERGY EFFICIENCY. WHETHER YOU'RE ILLUMINATING RESIDENTIAL SPACES, COMMERCIAL SETTINGS, OR ACCENT LIGHTING APPLICATIONS, THIS HIGH-PERFORMANCE LED BULB PROVIDES THE PERFECT BALANCE OF EFFICIENCY AND RELIABILITY.

THE G9 SMD LED BULB IS THE PERFECT SOLUTION FOR MODERN, ENERGY-CONSCIOUS LIGHTING THAT DELIVERS BRIGHTNESS, LONGEVITY, AND COST SAVINGS. SAY GOODBYE TO HIGH ENERGY BILLS AND FREQUENT BULB REPLACEMENTS—MAKE THE SWITCH TODAY!



YOUTUBE VIDEO
INSTALLATION GUIDE



WEBSITE



CATALOG

ABBA
LIGHTING USA

12V Landscape Light Specialist



(800) 360-2960



ABBALightingUSA@gmail.com



7701 Alabama Ave, Canoga Park, CA 91304