

G4 SMD 3W BULB

LIGHT BULB

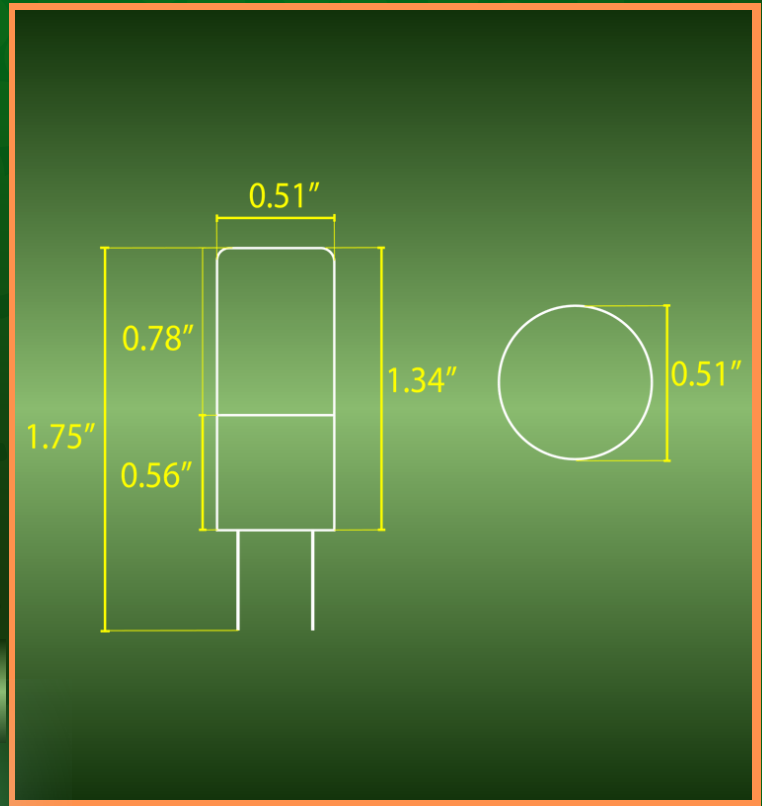
LUMENS:
250LM

POWER:
3W AC/DC
12V LED

CERAMIC +
HARD PLASTIC
BODY



SPEC SHEET



TEMPERATURE:



CRI:

>80

DIMMABLE

YES

MASTER BOX:

100
PIECES

LIFE SPAN:

30,000
HOURS

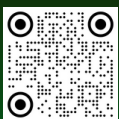
BEAM ANGLE:

360°

WATERPROOF
RATING:



- ENERGY-SAVING TECHNOLOGY - USES ONLY 3W OF POWER, OFFERING UP TO 90% ENERGY SAVINGS COMPARED TO HALOGEN BULBS.
- ULTRA-BRIGHT & EFFICIENT - PROVIDES HIGH-LUMEN OUTPUT WITH UNIFORM, FLICKER-FREE LIGHTING.
- LONG-LASTING PERFORMANCE - BUILT TO LAST UP TO 30,000 HOURS, REDUCING MAINTENANCE AND REPLACEMENT COSTS.
- COOL OPERATION - GENERATES MINIMAL HEAT, ENSURING SAFER, MORE EFFICIENT LIGHTING.
- UNIVERSAL COMPATIBILITY - WORKS SEAMLESSLY WITH 12V AC/DC LOW-VOLTAGE SYSTEMS.
- INSTANT-ON FUNCTIONALITY - NO FLICKERING, NO WARM-UP TIME, CONSISTENT ILLUMINATION.



YOUTUBE VIDEO
INSTALLATION GUIDE



WEBSITE



CATALOG

ABBA
LIGHTING USA

12V Landscape Light Specialist



(800) 360-2960



ABBALightingUSA@gmail.com



7701 Alabama Ave, Canoga Park, CA 91304