

E27 6W 2700K

LIGHT BULB

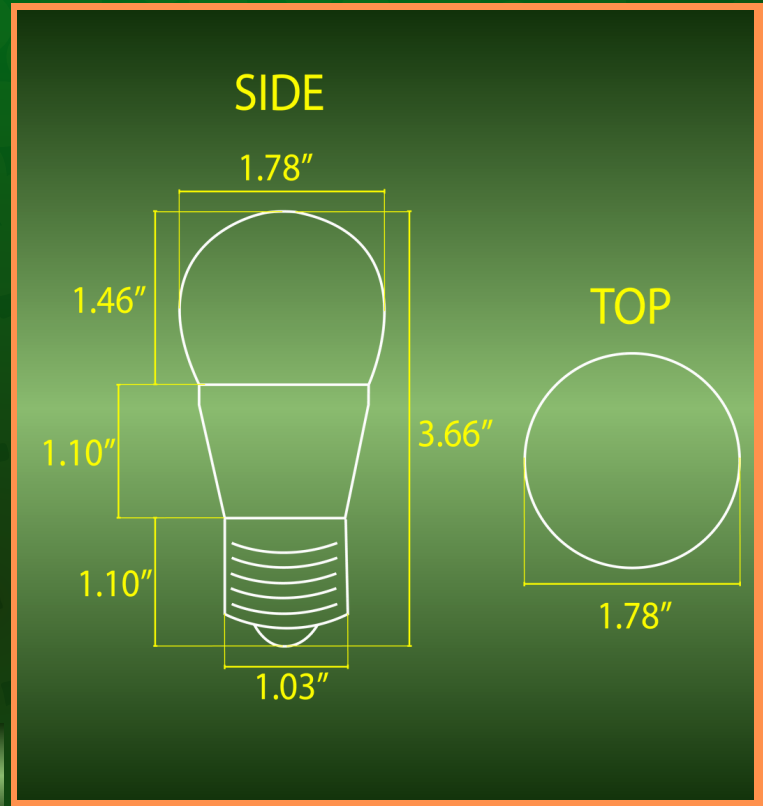
LUMENS:
400LM

POWER:
6W LED
AC/DC 12V

SHATTER PROOF
BODY



SPEC SHEET



TEMPERATURE:

3000K

CRI:

>80

MASTER BOX:

100
PIECES

LIFE SPAN:

30,000
HOURS

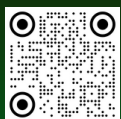
BEAM ANGLE:

360°

WATERPROOF
RATING:



ILLUMINATE YOUR SPACE WITH THE E27 6W 2700K LED BULB, A HIGH-PERFORMANCE LIGHTING SOLUTION DESIGNED FOR ENERGY EFFICIENCY, LONGEVITY, AND SUPERIOR BRIGHTNESS. THIS BULB EMITS A WARM 2700K GLOW, PERFECT FOR CREATING A COZY AND INVITING ATMOSPHERE IN RESIDENTIAL AND COMMERCIAL SETTINGS. WITH LOW POWER CONSUMPTION AND A LONG LIFESPAN, IT'S AN EXCELLENT REPLACEMENT FOR TRADITIONAL INCANDESCENT BULBS, OFFERING SIGNIFICANT ENERGY SAVINGS WHILE MAINTAINING PREMIUM LIGHT QUALITY.



YOUTUBE VIDEO
INSTALLATION GUIDE



WEBSITE



CATALOG

ABBA

LIGHTING USA

12V Landscape Light Specialist



(800) 360-2960



ABBALightingUSA@gmail.com



7701 Alabama Ave, Canoga Park, CA 91304